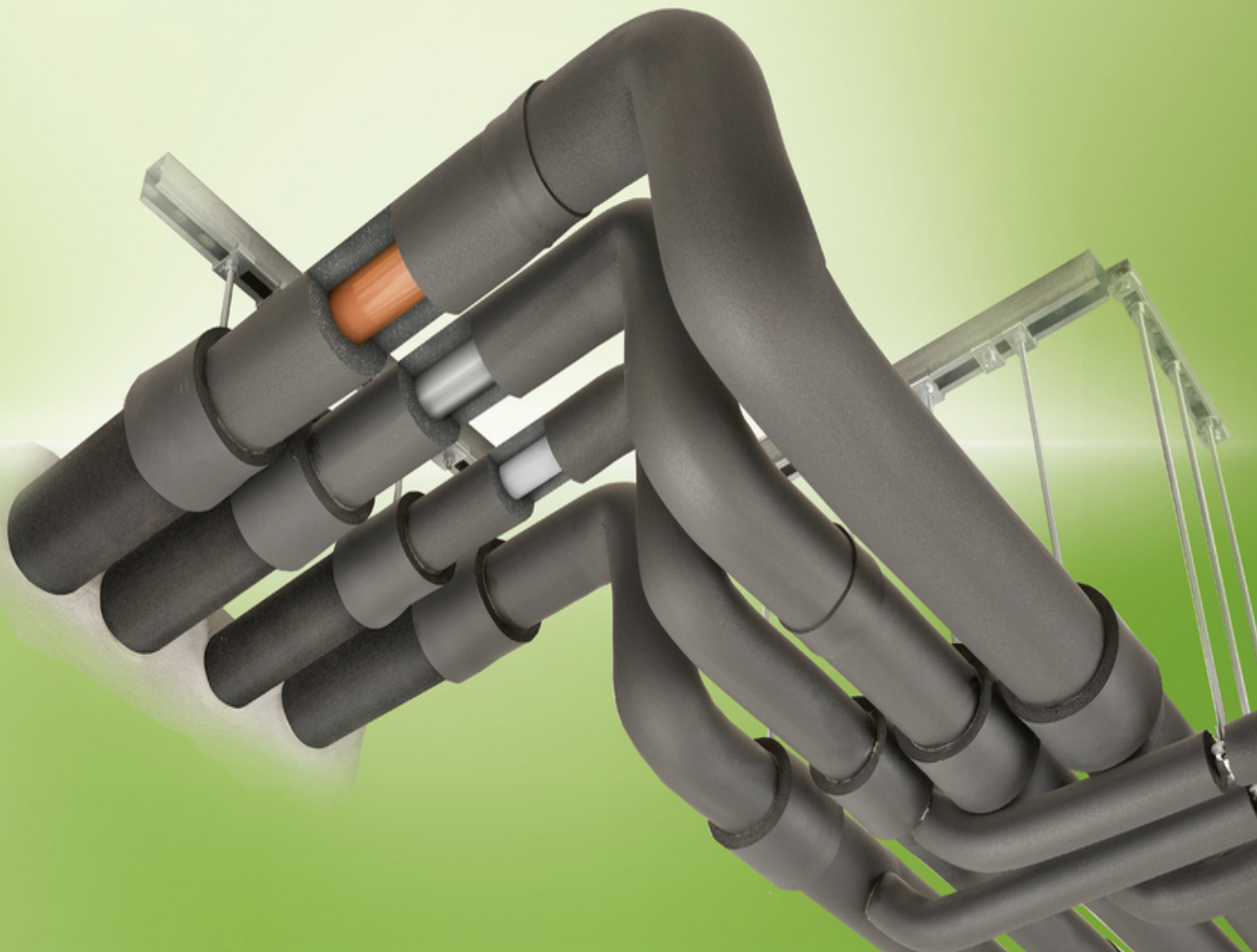




ARMAPROTECT

PROFESSIONAL FIRE PROTECTION WITH
TRUSTED ARMACELL QUALITY



- A rich and complete portfolio with various solutions for all types of service penetrations through both walls and floors
- Strong fire resistance ratings (up to EI 240)
- Stronger with the unique ArmaFlex Protect technology
- Confirmed quality and data with European Technical Assessments
- Supported by strong and comprehensive literature



Armaflex Protect

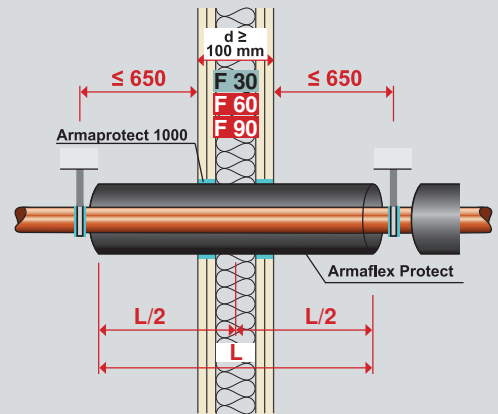
PIPE MATERIALS AND ZERO DISTANCE

Due to its intumescent effect in the event of a fire, the new Armaflex Protect can be used to securely seal off penetrations not only for copper, steel and stainless steel pipework but also for combustible supply pipes such as multilayer composite pipes, PE, PE-HD, PP or PVC pipes. Armaflex Protect is a system component working with all Armaflex elastomeric insulation materials and Armaflex 520 Adhesives. Best of all: There are no minimum distance requirements with Armaflex Protect, so all pipes can be installed with zero distance.



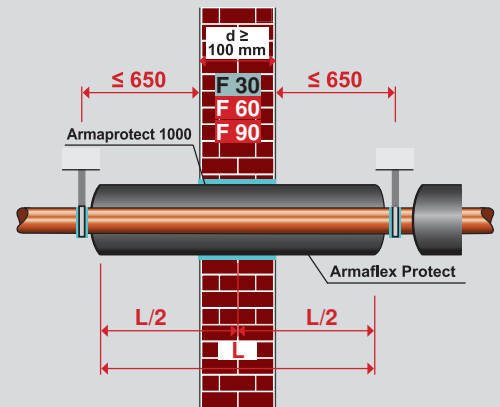
LIGHTWEIGHT WALL

In fire-rated lightweight walls, Armaflex Protect is installed centrally. The annular gap is closed within the insulation level using Armaprotect 1000 or conventional filler is used against the gypsum board. Additional strips or protective insulation are not required.



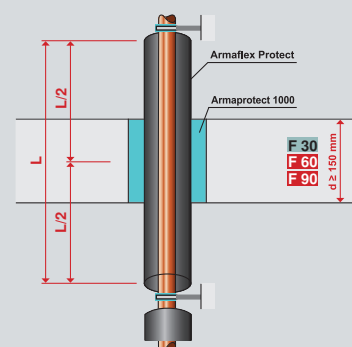
SOLID WALL

In fire-rated solid walls, Armaflex Protect is installed centrally. The gap is closed using Armaprotect 1000 or ordinary mineral mortar. Additional strips are not required!



CEILING PENETRATION

Armaflex Protect can also be installed centrally in ceiling penetrations. Armaprotect 1000 or mineral mortar is used to close the remaining gap in the penetration or core-drilled hole. The appropriate test certificates are to be consulted for information on permitted pipe materials and other necessary basic conditions. During planning and execution, not only the diagrams shown but also the basic conditions of the test certificate must be observed.

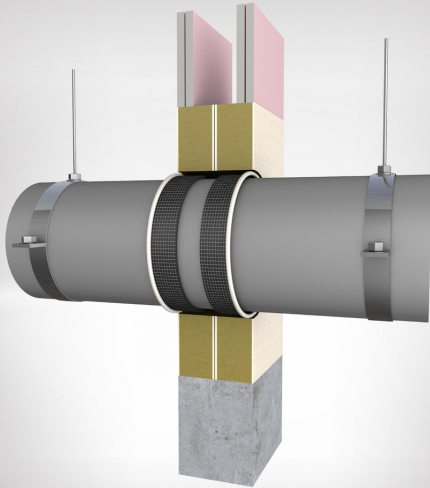


ArmaProtect Wrap System

SERVICE PENETRATION SEALS

The new ArmaProtect Wrap System is designed to securely seal off service penetrations of plastic and metal pipes, both with and without insulation. Whether in rigid floors, rigid or flexible walls, the ArmaProtect Wrap System guarantees reliable fire protection in structural elements. The modular system can be combined with premium Armaflex elastomeric insulation materials and has been tested for a wide range of applications.

For detailed information on the scope of application please consult the comprehensive application guide for the ArmaProtect Wrap System and its components.



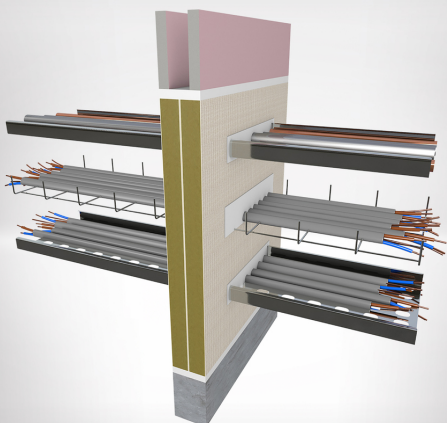
ArmaProtect Wrap

In the event of a fire, the intumescent and reactive wrap provides a high volume expansion and pressure seal, thus preventing fire and smoke from spreading through the penetration to adjoining rooms. The fire resistance of the halogen-free, non-toxic wrap is classified up to EI 120 according to EN 13501-2. It is supplied in a convenient 25 m long, 40 mm wide and 2 mm thick roll. The ultra-thin design ensures an easy application in tight places.



ArmaProtect Board

This ablative coated mineral fibre board is the ideal system supplement for Armacell's passive fire protection solutions. ArmaProtect Board is designed to maintain fire resistance performance of wall constructions where they have been provided with apertures for the penetration of single or multiple service lines. ArmaProtect Board is also able to provide a range of solutions for cable penetrations. It has strong acoustic properties and is air permeable.



ArmaProtect Seal

For closing the annular gap around pipe penetrations which have been sealed off with ArmaProtect Wrap Armacell provides ArmaProtect Seal. The acrylic based, fire resistant sealant also provides slight intumescent properties. The easy to use sealant is an integral part of ArmaProtect Wrap System and also offers a solution for non-insulated metal pipes and a range of electrical apertures. It is halogen-free, resists fungi and vermin and has good acoustic insulation properties.

Technical Data - ArmaFlex Protect

Brief description	Flexible fire seal and insulation for metal and composite pipes through fire-resistant walls and floors (up to EI 120).
Material type	Flexible elastomeric foam based on synthetic rubber
Colour	black
Product Range	For further information, please refer to related literature provided by Armacell and European Technical Assessment of the product (ETA-11/0454).
Applications	Insulation and fire protection barrier for drinking water hot / cold, heating and refrigeration metal pipes up to 326 mm diameter and composite pipes up to 75 mm.
Special Features	Detailed information on the fields of application (building elements, services, limits in size) and description of construction of the penetration seal are available in the Armaflex Protect installation instructions.
Safety and Environment	Please refer to latest product Safety Datasheet (SDS)
Assembly	Please refer to "ArmaFlex Application Manual" and "ArmaProtect System Comprehensive Compendium". For information on marine applications, please consult your local Armacell contact or get in touch with our Customer service.
Remarks	Declaration of Performance is available in accordance with Article 7(3) of Regulation (EU) No 305/2011 on our homepage: www.armacell.com/DoP

Property	Value/Assessment	Test ¹	Special Remark
Temperature Range			
Temperature Range	max. service temperature	+85 °C	EU 5925 Tested acc. to EN 14706, EN 14707 and EN 14304
	min. service temperature	-50 °C	
Thermal Conductivity			
Thermal Conductivity	ϑ_m	0 °C	EU 5925 Tested according to EN 12667 EN ISO 8497
	$\lambda \leq$	0,056 W/(m · K)	
Water vapour diffusion resistance			
Water vapour diffusion resistance	$\mu \geq$	7.000	EU 5925 Tested acc. to EN 12086 and EN 13469
Fire performance			
Other Fire Class	Marine applications	A-60 class decks and bulkheads	EU 5616 EU 5883 EU 5870 D 5555 Tested according to 2010 FTP-Code part3, IMO A.754 (18) Classified acc. to MED 96/98/EC MODULE D
Practical Fire Behaviour	Self-extinguishing, does not drip, does not spread flames		
Fire resistance of structural element	up to EI 120 (ETA-11/0454)		EU 4384 EN 1366-3, EN 13501-2
Other technical features			
UV resistance ¹	Protection against UV-radiation is necessary.		
Storage & Shelf life	Cartons shall be stored horizontally. Can be stored in dry, clean rooms at normal relative humidity (50 % - 70 %) and ambient temperature (0 °C - 35 °C). Minimum temperature for transport -50 °C under condition of frost-free storage before installation.		
Use category	Type Y2 - intended for use at temperatures below 0 °C, but with no exposure to rain nor UV		EU 4384 EOTA TR 024

1. If Armaflex is applied under UV-radiation the material must be protected within 3 days with a covering.

¹ Further documents such as test certificates, approvals and the like can be requested using the registration number given.

Technical Data - ArmaFlex Protect

Armaflex Protect – ideal for condensation control on refrigeration and coolant piping

Pipe outer diameter	Line temperature / Ambient temperature			
	+6 °C / 23 °C	0 °C / 23 °C	-5 °C / 23 °C	-10 °C / 23 °C
≥ 10 mm ≤ 323,9 mm	Relative humidity ≤ 80 %	Relative humidity ≤ 75 %	Relative humidity ≤ 70 %	Relative humidity ≤ 65 %

All data and technical information are based on results achieved under typical application conditions. Recipients of this information should, in their own interest and responsibility, promptly clarify with us to determine whether or not the data and information apply to the intended application area. Installation instructions are available in our Armaflex installation manual. Please consult our Customer Service Center before insulating stainless steels. Adhesive Armaflex 520 must be used to guarantee proper installation. For some refrigerants, the discharge temperature may exceed +110 °C; please consult our Customer Service Center for further information. For outside use, Armaflex should be protected within 3 days, e.g. with Armafinish 99 Paint or Arma-Chek covering.

Technical Data - ArmaProtect Wrap

Brief description	A halogen-free, non-toxic, reactive intumescent wrap with high volume expansion designed to maintain the fire resistance performance of service penetrations.
Material type	Thermoplastic composites based on graphite intumescent
Colour	Dark grey
Product Range	Roll dimensions (thickness x width x length); 2 mm x 40 mm x 25 m
Applications	Passive Fire Protection for non-insulated and insulated plastic pipes and insulated metal pipes .
Special Features	Suitable plastic pipe dimensions: 32 mm, 40 mm, 50 mm, 55 mm, 63 mm, 75 mm, 82 mm, 90 mm, 100 mm, 110 mm, 125 mm, 140 mm, 160 mm, 200 mm and 250 mm
Safety and Environment	Halogen free, contains no asbestos, ceramic or mineral fibres. Not affected by fungus, vermin or rodents. Please refer to latest product Safety Datasheet (SDS).
Assembly	<p>Ensure that the services in question are tested with ArmaProtect Wrap, and the site conditions are within the application specifications. Sufficient annular space needs to be present around the service (pipe penetration) to allow adequate installation depth. All services need to be clean and free of all dust and loose particles. The aperture temperature needs to be +5 °C or above at the time of installation.</p> <ol style="list-style-type: none"> 1. Ensure that the "non-mesh" side is facing the application surface (mesh side is facing away from the application surface). 2. Make sure that ArmaProtect Wrap is applied around the pipe in the correct number of layers as per the tables provided in related literature or on the product packaging. 3. It is recommended to apply the wrap relaxed (not tight) approximately 5mm from the surface of application to avail some measure of movement between the applied wrap and the application surface. 4. Slide the applied wrap into the annular space between the pipe and the separating element (wall / floor), with a 5 mm recess from the surface (the distance between the surface of the wall / floor and the closest side of the wrap should be 5 mm). 5. Fill the annular space thoroughly and homogeneously with ArmaProtect Seal and to be flush with the surface of the separating element in such a way that after the sealant is applied, the installed wrap material can no longer be visible. 6. Smoothen off the ArmaProtect Seal surface for a more professional looking finish.
Remarks	For further information, please refer to related literature provided by Armacell and European Technical Assessment of the product (ETA-19/0714). ArmaProtect Wrap can also be used as a part of a system (with ArmaProtect Board) for maintaining fire resistance of insulated metal pipes and insulated plastic pipes. Please refer to "ArmaProtect Wrap System Comprehensive Application Guide" and ETA-19/0712 or consult Armacell for more information.

Property	Value/Assessment	Test ^{*1}	Special Remark
Fire performance			
Fire resistance of structural element	up to EI 120 (ETA-19/0714)	EU 7120	Tested acc. to EN 1366-3; Classified acc. to EN 13501-2
Other technical features			
Density	1.2 g/cm ³		ISO 2811-1:2011
Expansion Pressure	up to 1.30 N/mm ²		
Volume Expansion	appr. 25 times at 450 °C		EOTA TR 024
Use category	Type X – intended for use in conditions exposed to weathering	EU 7120	EOTA TR 024
Intumescent thickness (# of layers by pipe diameter) ¹	32 mm - 50 mm: 1 layer of 40 mm (width) x 2 mm (thickness) 51 mm - 82 mm: 2 layers of 40 mm (width) x 2 mm (thickness) 83 mm - 115 mm: 3 layers of 40 mm (width) x 2 mm (thickness) 116 mm - 160 mm: 4 layers of 40 mm (width) x 2 mm (thickness) 161 mm - 200 mm: 5 layers of 40 mm (width) x 2 mm (thickness) 201 mm - 250 mm: 6 layers of 40 mm (width) x 2 mm (thickness)		
	Please note that if the assembly detail requires ArmaProtect Wrap to be applied from both sides of the wall or floor then the number of layers provided in literature should be installed on both sides. General data provided for plastic pipes only. Please see ArmaProtect Wrap System Comprehensive Application Guide for information for the use of ArmaProtect Wrap on metal pipes.		

1. For further information, please contact our customer service.

*1 Further documents such as test certificates, approvals and the like can be requested using the registration number given.

All data and technical information are based on results achieved under typical application conditions. Recipients of this information should, in their own interest and responsibility, clarify with us in due time whether or not the data and information apply to the intended application area. All the statements and technical information within this document should be read in conjunction with the customer's own specification. It is the responsibility of the recipient to inform all involved parties about the content of these documents. The described and recommended methods should be strictly followed. If there is a requirement to deviate from our recommendations, please contact us in advance to discuss possible suitable alternatives. Armacell will not be liable for any claim resulting from a failure to observe our specification or any other agreed solutions and from non-observance of the customer's specification. Armacell takes every precaution to ensure the accuracy of the data provided in this document and all statements, technical information and recommendations contained within are believed to be correct. However, Armacell cannot guarantee that the data are 100 % accurate. Furthermore, minor deviations in colour, quality and dimensions are unavoidable and in most cases do not influence the performance of the product. Armacell expressly disclaims any and all liability in relation to any results obtained or arising from any use of the product or reliance on such information. No warranty of fitness for any particular purpose, warranty of merchantability or any other warranty, expressed or implied, is made concerning the goods described or the information provided herein.

Technical Data - ArmaProtect Board

Brief description	ArmaProtect Board is an ablative painted mineral wool board to maintain the fire resistance performance of wall / floor constructions provided with apertures for penetration of single and multiple services.
Material type	Ablative painted mineral wool
Colour	Surface color: white
Product Range	Board: 1200 mm x 600 mm x 50 mm (length x width x thickness)
Applications	ArmaProtect Board may be used to provide a penetration seal with pipes and cables, cable trays and ladders. Pipes must be installed singular, cables require no minimum separation.
Safety and Environment	Please refer to latest product Safety Datasheet (SDS).
Assembly	Ensure that the aperture and services in question are tested with ArmaProtect Board, and the site conditions are within the application specification. All services and apertures need to be clean and free of all dust and loose particles. The aperture temperature needs to be +5 °C or above at the time of installation. Upon installation make sure that ArmaProtect Board is installed with at least 10 % friction fit. Coat all joints and interfaces (also along the edges of the newly formed ArmaProtect Board sections if cutting was required) of ArmaProtect Board thoroughly and homogeneously with ArmaProtect Seal. Once compacted within the frame, finish off all exposed edges with ArmaProtect Seal ensuring a complete sealing is achieved. Smoothen off bulging sections of ArmaProtect Seal with a pallet knife to ensure a professional looking finish. For patress installaton; upon application make sure that ArmaProtect Board is installed with 100mm overlap. Fix the board to the substrate with the minimum 80 mm steel wood screws and penny washers and maximum 300 mm centers over-coated with 2 mm ArmaProtect Seal bead. Coat all joints using ArmaProtect Seal, ensuring all leading edges of the ArmaProtect Board are coated thoroughly and homogeneously.
Remarks	For further information, please refer to related literature provided by Armacell and European Technical Assessment of the product (ETA-19/0712).

Property	Value/Assessment	Test ¹	Special Remark
Thermal Conductivity			
Thermal Conductivity	ϑ_m	+ 10 °C	°C
	λ	≤ 0,034	W/(m · K)
Fire performance			
Fire resistance of structural element	up to EI 120 (ETA-19/0712)		EU 7137
			Tested acc. to EN 1366-3 Classified acc. to EN 13501-2
Acoustic Performance			
Calculated broadband insertion loss	Rw	= 24	dB
	(C;Ctr)	= (-2;-3)	dB
Other technical features			
Density	140 kg/m ³ (mineral wool)		ISO 2811-1
Storage & Shelf life	Store in dry conditions off the floor between +5 °C and +25 °C, further details see Safety Data sheet		
Coating thickness ²	nominal 1 mm ; 2.2 kg wet film coating		
Maximum size of seal	Rigid Wall: 5.76m ² , Rigid Floor: 2.88m ²		
Use category	Type Z1 – intended for use in internal conditions with humidity ≥ 85 °C, excluding temperatures below 0 °C, without exposure to rain and UV		EOTA TR 024

1. For further information, please contact our customer service.

2. Based on single test results. Can be used for information / reference only

*1 Further documents such as test certificates, approvals and the like can be requested using the registration number given.

All data and technical information are based on results achieved under typical application conditions. Recipients of this information should, in their own interest and responsibility, clarify with us in due time whether or not the data and information apply to the intended application area. Armacell takes every precaution to ensure the accuracy of the data provided in this document and all statements, technical information and recommendations contained within are believed to be correct. However, Armacell cannot guarantee that the data are 100 % accurate. Furthermore, minor deviations in colour, quality and dimensions are unavoidable and in most cases do not influence the performance of the product. Armacell expressly disclaims any and all liability in relation to any results obtained or arising from any use of the product or reliance on such information. No warranty of fitness for any particular purpose, warranty of merchantability or any other warranty, expressed or implied, is made concerning the goods described or the information provided herein. All the statements and technical information within this document should be read in conjunction with the customer's own specification. It is the responsibility of the recipient to inform all involved parties about the content of these documents. The described and recommended methods should be strictly followed. If there is a requirement to deviate from our recommendations, please contact us in advance to discuss possible suitable alternatives. Armacell will not be liable for any claim resulting from a failure to observe our specification or any other agreed solutions and from non-observance of the customer's specification.

Technical Data - ArmaProtect Seal

Brief description	ArmaProtect Seal is an acrylic based, fire resistant sealant with slight intumescent properties.
Material type	Acrylic
Colour	White
Product Range	Paste form contained within 310 ml cartridge.
Applications	As a part of a system with ArmaProtect Wrap and/or ArmaProtect Board; ArmaProtect Seal is used to reinstate the fire resistance performance of wall and floor constructions where they have been provided with apertures for the penetrations of multiple services.
Safety and Environment	Halogen free, resists fungi and vermin. Please refer to latest product Safety Datasheet (SDS).
Assembly	For good adhesion ensure the application surfaces are firm, clean, dry, homogeneous and free from any contaminants like oil, grease or dust and the aperture and services in question are tested with ArmaProtect Seal and finally the site conditions are within the application specification. An annular space needs to be present around the service to apply sufficient installation depth. All services and apertures need to be clean and clear of all dust and loose particles. The aperture temperature needs to be at 5 °C or above at time of installation. Upon installation make sure that you install ArmaProtect Seal around all services needed. Once compacted, smooth off ArmaProtect Seal to produce a professional finish.
Remarks	For further information, please refer to related literature provided by Armacell and European Technical Assessment of the product (ETA 19/0711).

Property	Value/Assessment	Test ^{*1}	Special Remark
Fire performance			
Fire resistance of structural element	up to EI 120 (ETA-19/0711)	EU 7138	Tested acc. to EN 1366-3 Classified acc. to EN 13501-2
Acoustic Performance			
Calculated broadband insertion loss	Rw = 38 dB		EN ISO 10140
	(C;Ctr) = (-2;-7) dB		
Other technical features			
Density	1610 kg/m ³ ± 50 kg/m ³ (uncured material)		ISO 2811-1
Drying time	30 mins at 23 °C, 50% RH		
Storage & Shelf life	18 months unopened		
	store in dry conditions off the floor between +5 °C and +25 °C		
Tack free	30 mins at 23 °C, 50% RH		
Slump	5 mm after 1 hours in 30 mm joints		
Joint movements	Remains flexible		EN 1366-4
Use category	Type Z1 – intended for use in internal conditions with humidity ≥ 85 °C, excluding temperatures below 0 °C, without exposure to rain and UV		EOTA TR 024
Operating temperature	-5 °C to +40 °C		
Application temperature	+5 °C to +40 °C		

*1 Further documents such as test certificates, approvals and the like can be requested using the registration number given.

Armacell takes every precaution to ensure the accuracy of the data provided in this document and all statements, technical information and recommendations contained within are believed to be correct. However, Armacell cannot guarantee that the data are 100 % accurate. Furthermore, minor deviations in colour, quality and dimensions are unavoidable and in most cases do not influence the performance of the product. Armacell expressly disclaims any and all liability in relation to any results obtained or arising from any use of the product or reliance on such information. No warranty of fitness for any particular purpose, warranty of merchantability or any other warranty, expressed or implied, is made concerning the goods described or the information provided herein. All the statements and technical information within this document should be read in conjunction with the customer's own specification. It is the responsibility of the recipient to inform all involved parties about the content of these documents. The described and recommended methods should be strictly followed. If there is a requirement to deviate from our recommendations, please contact us in advance to discuss possible suitable alternatives. Armacell will not be liable for any claim resulting from a failure to observe our specification or any other agreed solutions and from non-observance of the customer's specification. All data and technical information are based on results achieved under typical application conditions. Recipients of this information should, in their own interest and responsibility, clarify with us in due time whether or not the data and information apply to the intended application area.

Technical Data - ArmaProtect Collar

Brief description	Intumescent pipe collar for pipe penetration seals of fire resistance class up to EI 240
Material type	Several layers of highly intumescent material incorporated into a mild steel case. In the event of a fire, the intumescent material expands with high pressure and thus seals the opening hermetically against flames and smoke.
Colour	Steel casing: Green Intumescent material: Grey
Applications	Fire resistant collar for pipe penetrations in solid walls and floors made of concrete or aerated concrete and lightweight partition walls. Suitable to be used with non-insulated PVC, PP and PE pipes.
Special Features	Identification sign provided. Free of halogens and contains no asbestos or ceramic. Not affected by fungus, vermin or moisture.
Assembly	Ensure that the aperture and services in question are tested with ArmaProtect Collar, and the site conditions are within the application specification. An annular space needs to be present around the service to apply sufficient installation depth of ArmaProtect Seal. All services and apertures need to be clean and clear of all dust and loose particles. The aperture temperature needs to be at 5 °C or above at time of installation. Upon installation make sure that you fill in the annular gap around the pipe maximum 10mm annulus with ArmaProtect Seal, place the ArmaProtect Collar around the pipe and fix the collar to the wall or floor with the recommended fixings.
Remarks	For further information, please refer to related literature provided by Armacell and European Technical Assessment of the product (ETA-19/0713).

Property	Value/Assessment	Test ^{*1}	Special Remark
Fire performance			
Fire resistance of structural element	Floor penetrations (PVC, PE, PP) ≤ EI 240 U/C	EU 7140	Tested acc. to EN 1366-3 Classified acc. to EN 13501-2
	Wall penetrations (PVC, PE, PP) ≤ EI 120 U/C		
Other technical features			
Expansion Rate	20:1		EOTA TR 024
Expansion Pressure	1.30 N/mm ²		EOTA TR 024
Use category	Type X – intended for use in conditions exposed to weathering		EOTA TR 024
Working temperature	-20 °C up to +120 °C		

*1 Further documents such as test certificates, approvals and the like can be requested using the registration number given.

Technical Data - ArmaProtect Seal X

Brief description	ArmaProtect Seal X is a highly intumescent graphite sealant used to reinstate the fire resistance performance of wall and floor constructions where they have been provided with apertures for the penetrations of multiple services.
Material type	Intumescent graphite sealant
Colour	Grey
Product Range	Paste form contained within 310 ml cartridge
Applications	Passive fire protection applications: Insulated metal pipe and various non-insulated plastic pipe penetrations Uponor MLC pipe penetrations Various electrical aperture penetrations
Safety and Environment	Please refer to latest product Safety Datasheet (SDS)
Assembly	Ensure that the aperture and services in question are tested with ArmaProtect Seal X, and the site conditions are within the application specification. An annular space needs to be present around the service to allow sufficient installation depth. All services and apertures need to be clean and clear of all dust and loose particles. The aperture temperature needs to be at 5 °C or above at time of installation. When required use backing material as indicated in ETA 19/0715. The backing material should be non-combustible stone wool. Upon installation ensure that enough application is left around the penetration. Apply ArmaProtect Seal X in 20 mm width around annular and at a depth of 25 mm around all penetrations thoroughly and homogeneously. Once compacted, smoothen off the ArmaProtect Seal X surface to produce a professional finish. For applications where ArmaProtect Seal X is used with ArmaProtect Board, please also refer to ArmaProtect Board literature and ETA-19/0712 in addition to those of ArmaProtect Seal X.
Remarks	For further information, please refer to related literature provided by Armacell and European Technical Assessment of the product (ETA-19/0715).

Property	Value/Assessment			Test* ¹	Special Remark
Fire performance					
Fire resistance of structural element	up to EI 120 (ETA-19/0715)			EU 7139	Tested acc. to EN 1366-3 Classified acc. to EN 13501-2
Acoustic Performance					
Calculated broadband insertion loss	Rw	=	52	dB	EU 7139
	(C;Ctr)	=	(-1;-6)	dB	
Other technical features					
Density	1280 kg/m ³ ± 50 kg/m ³ (uncured material)				ISO 2811-1
Storage & Shelf life	12 month unopened				
	store in dry conditions off the floor between +5 °C and +25 °C				
Hardness after curing (Shore A)	68				ISO 7619-1
Cure rate	1.7 mm / 24 h at 50% RH and 23 °C				
Skin time	15 min. at 50% RH and 23 °C				
Expansion Pressure	0.7 N/mm ²				
Volume Expansion	approx. 20 times at 180 °C				EOTA TR 024
Operating temperature	-5 °C to +40 °C				
Application temperature	+5 °C to +35 °C				

*1 Further documents such as test certificates, approvals and the like can be requested using the registration number given.

All data and technical information are based on results achieved under typical application conditions. Recipients of this information should, in their own interest and responsibility, clarify with us in due time whether or not the data and information apply to the intended application area. Armacell takes every precaution to ensure the accuracy of the data provided in this document and all statements, technical information and recommendations contained within are believed to be correct. However, Armacell cannot guarantee that the data are 100 % accurate. Furthermore, minor deviations in colour, quality and dimensions are unavoidable and in most cases do not influence the performance of the product. Armacell expressly disclaims any and all liability in relation to any results obtained or arising from any use of the product or reliance on such information. No warranty of fitness for any particular purpose, warranty of merchantability or any other warranty, expressed or implied, is made concerning the goods described or the information provided herein.

Technical Data - ArmaProtect 1000-HS

Brief description	ArmaProtect 1000-HS is a non-shrinking, fast setting, gypsum based, fire protection mortar.
Material type	Gypsum based mortar
Colour	Grey
Product Range	20 kg bags
Applications	Passive fire protection, floor penetrations: metal pipes insulated with non-combustible insulation materials, and various electrical apertures encased with non-combustible duct wraps: up to EI 120.
Special Features	Form: free flowing powder Mixing ratios: For pour grade: 3 - 3½ portion of ArmaProtect 1000-HS powder to 1 portion of clean water For trowel grade: 4 portion of ArmaProtect 1000-HS powder to 1 portion of clean water
Safety and Environment	Please refer to the most recent Safety Datasheet (SDS).
Assembly	Mixing: Use clean water and a clean container for the mixing process. Slowly add ArmaProtect 1000-HS powder into the correct amount of clean water and stir continually to ensure a homogenous, smooth consistency is achieved as per the ratio provided for desired application grade. Mix sufficient material to be used within the recommended pot life (20-30 minutes). Time required for setting can change as per the site conditions. Installation should not be carried in conditions where temperatures exceed +35 °C. Nominal setting times range between 30 and 90 minutes. Design strength is achieved when fully hardened and dry. Application: All services and apertures need to be clean and clear of all dust and loose particles. The aperture temperature needs to be at +5 °C or above at time of installation. Fill the full depth in a single pour to create a solid structure. Minimum 100 mm depth in a single pour to achieve load bearing capabilities, consult Armacell for specific requirements. Once filled smooth off the ArmaProtect 1000-HS to produce a professional finish. When sealing holes in floor slabs, appropriate shuttering must be installed, cut to fit tightly around any services within the opening, to support the wet mix until it setting. Non-combustible shuttering materials, such as mineral fibre slab, can be left in place, but combustible materials must be removed, after the mix has set. For complex penetrations it may be preferable, to initially form a thin seal around all services, with an nominal 5 mm layer of ArmaProtect 1000-HS mix. Once this has set the remaining depth of seal should be poured in one operation.
Remarks	For further information, please refer to related literature provided by Armacell and European Technical Assessment of the product (ETA-19/0716).

Property	Value/Assessment	Test ^{*1}	Special Remark
Fire performance			
Fire resistance of structural element	up to EI 120 (ETA-19/0716)	EU 7155	Tested acc. to EN 1366-3 Classified acc. to EN 13501-2
Acoustic Performance			
Calculated broadband insertion loss	Rw = 52 dB (C;Ctr) = (-4;-8) dB	EU 7155	at 100 mm (with ArmaProtect Board 50 mm thickness)
Other technical features			
Density	1825 kg/m ³ ± 75 kg/m ³		
Drying time	30-90 mins (at 23 °C)		Drying time can change based on application conditions.
Storage & Shelf life	6 months store in dry conditions off the floor between +5 °C and +25 °C.		
Load Bearing	2.5 N/m ² (fully cured)		BS 6399-1
Use category	Type Z1 – intended for use in internal conditions with humidity ≥ 85 °C, excluding temperatures below 0 °C, without exposure to rain and UV		EOTA TR 024

*1 Further documents such as test certificates, approvals and the like can be requested using the registration number given.

All data and technical information are based on results achieved under typical application conditions. Recipients of this information should, in their own interest and responsibility, clarify with us in due time whether or not the data and information apply to the intended application area. Armacell takes every precaution to ensure the accuracy of the data provided in this document and all statements, technical information and recommendations contained within are believed to be correct. However, Armacell cannot guarantee that the data are 100 % accurate. Furthermore, minor deviations in colour, quality and dimensions are unavoidable and in most cases do not influence the performance of the product. Armacell expressly disclaims any and all liability in relation to any results obtained or arising from any use of the product or reliance on such information. No warranty of fitness for any particular purpose, warranty of merchantability or any other warranty, expressed or implied, is made concerning the goods described or the information provided herein.

ArmaFlex Protect tubes



Length 1,0 m

Pipe max. Outside-Ø [mm]	Insulation thickness [mm]	Code	Vare nr.	m/carton
6	16,0	PRO-AX-16X006	498616006	34
8	16,0	PRO-AX-16X008	498616008	30
10	19,0	PRO-AX-19X010	498619010	18
12	19,0	PRO-AX-19X012	498619012	17
15	19,0	PRO-AX-19X015	498619015	16
16	20,0	PRO-AX-20X016	498620016	14
18	20,0	PRO-AX-20X018	498620018	13
20	20,0	PRO-AX-20X020	498620020	12
22	20,0	PRO-AX-20X022	498620022	12
25	20,0	PRO-AX-20X025	498620025	11
28	25,0	PRO-AX-25X028	498625028	9
32	25,0	PRO-AX-25X032	498625032	8
35	25,0	PRO-AX-25X035	498625035	8
40	25,0	PRO-AX-25X040	498625040	6
42	25,0	PRO-AX-25X042	498625042	6
48	25,0	PRO-AX-25X048	498625048	5
50	25,0	PRO-AX-25X050	498625050	5
54	25,0	PRO-AX-25X054	498625054	5
60	25,0	PRO-AX-25X060	498625060	4
64	25,0	PRO-AX-25X063	498625064	4
76	25,0	PRO-AX-25X076	498625076	4
89	25,0	PRO-AX-25X089	498625089	4

ArmaFlex Protect sheets endless



Code	Vare nr.	Roll length [m]	Width [m]	Insulation thickness [mm]	m ² /carton	Rolls/carton
PRO-AX-13MM/E	498643056	6	0.5	13,0	2 x 3	2

Remark For sealing purposes at least two layers of sheet material must be installed; DIN 4140 requires that, in addition to being glued, they are secured by wire.

Armaprotect 1000 fire protection compound



pro-1000-0,5B in easy to handle plastic bag with removable lid
Ready to use in plastic buckets

Code	Vare nr.	Packaging units	Pieces/carton
PRO-1000-0,5B ●	498649005	0,5 l	20
PRO-1000-1,0	498649010	1,0 l	27
PRO-1000-2,5	498649025	2,5 l	12
PRO-1000-5,0	498649050	5,0 l	8

Remark other packaging units on request

● Item not in stock. Delivery on request. [MTO]

ArmaProtect Wrap fire protection system



Halogen-free, non-toxic, graphite intumescent wrap, in a roll

Code	Width [mm]	Length [m]	Thickness [mm]	Rolls/carton
PRO-WR-240	40,0	25	2	1

ArmaProtect Board fire protection system



1200 mm x 600 mm x 50 mm (length x width x thickness) ; surface color: white

Code	Article description	Pieces/carton
PRO-BO-50	Ablative coated mineral fibre board	1

ArmaProtect Seal fire protection system



310 ml cartridge; white color

Code	Article description	Pieces/carton
PRO-SE-310 W	310 ml cartridge	12

